

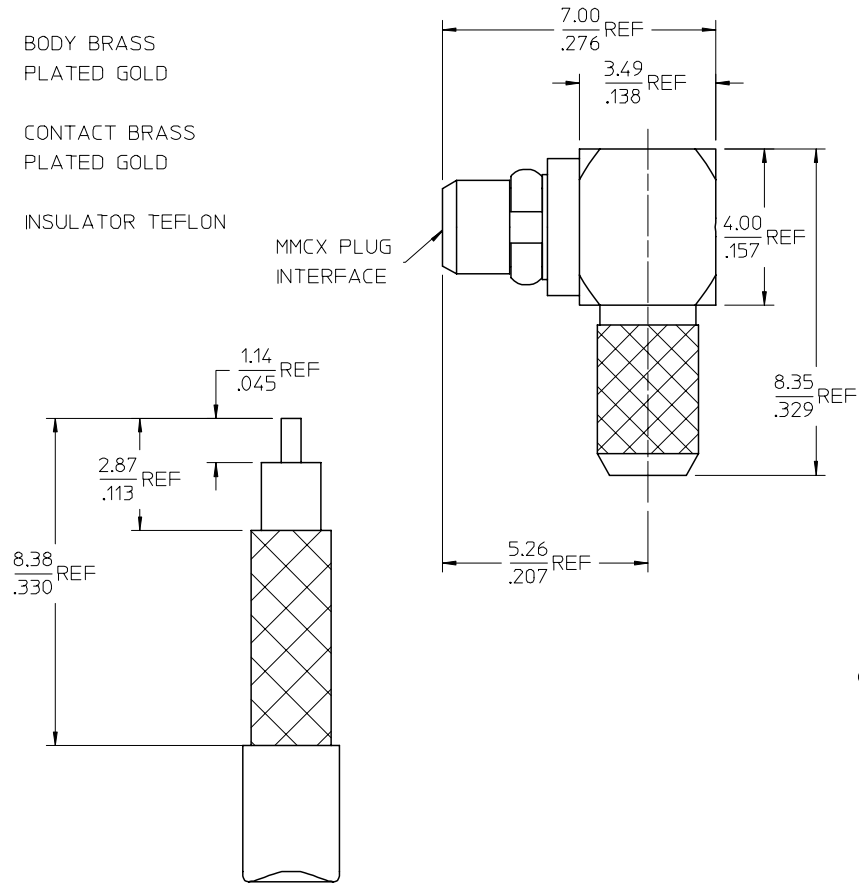
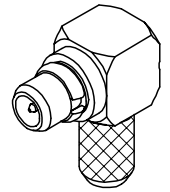
MATERIALS AND FINISHES:

BODY BRASS
PLATED GOLD

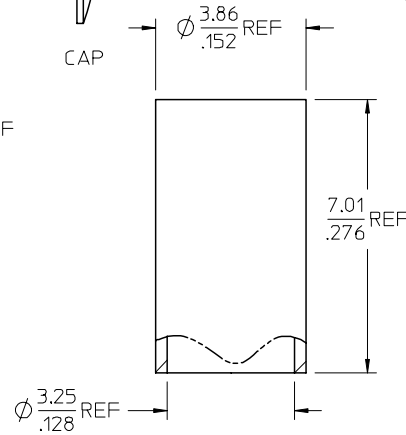
CONTACT BRASS
PLATED GOLD

INSULATOR TEFLON

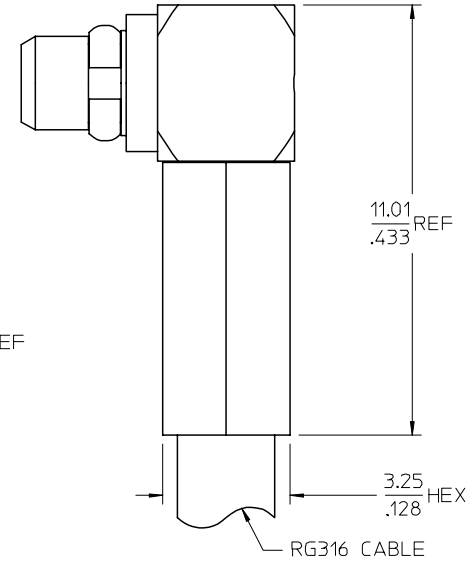
MMCX PLUG
INTERFACE



CAP



CRIMP TUBE



CABLE STRIP DIMENSIONS

73415-1122	P/N 73415-1121, ONE PER BAG
73415-1121	PER COMMERCIAL REQUIREMENTS, BULK
73415-1120	PER MILITARY REQUIREMENTS, BULK
PART NO.	PLATING AND PACKAGING

ES-73599-0000-015	INTERFACE
PS-89675-1930	ELECTRO/MECH PERFORM.
SPECIFICATION	DESCRIPTION

CHG: UPDATED
VIEW OF
CORRECT HEX
ON CRIMP TUBE
REMOVED AS SPEC.
EC NO: URF2008-0246
DRAWN: ARBERTSON 2007/10/30
CHKD: 2007/10/30
APPR: JIM ENEER 2007/10/30
REV: A4

QUALITY SYMBOLS ▽=0 ▽=0	GENERAL TOLERANCES (UNLESS SPECIFIED)		DIMENSION STYLE MM/IN		SCALE	DESIGN UNITS METRIC	THIRD ANGLE PROJECTION
	mm	INCH	DRAWN BY TEF	DATE 2000/01/13	TITLE MMCX PLUG, R/A RG316 50 OHMS MMCX-PC	MATERIAL NO. SD-73415-112	
4 PLACES ± --- ± ---		3 PLACES ± --- ± ---		CHECKED BY TEF		DATE 2000/01/13	
2 PLACES ± --- ± ---		1 PLACE ± --- ± ---		APPROVED BY GMH		DATE 2000/01/13	
ANGULAR ± 2 °		DRAFT WHERE APPLICABLE MUST REMAIN WITHIN DIMENSIONS		SEE TABLE		SHEET NO. 1 OF 1	
THIS DRAWING CONTAINS INFORMATION THAT IS PROPRIETARY TO MOLEX INCORPORATED AND SHOULD NOT BE USED WITHOUT WRITTEN PERMISSION							